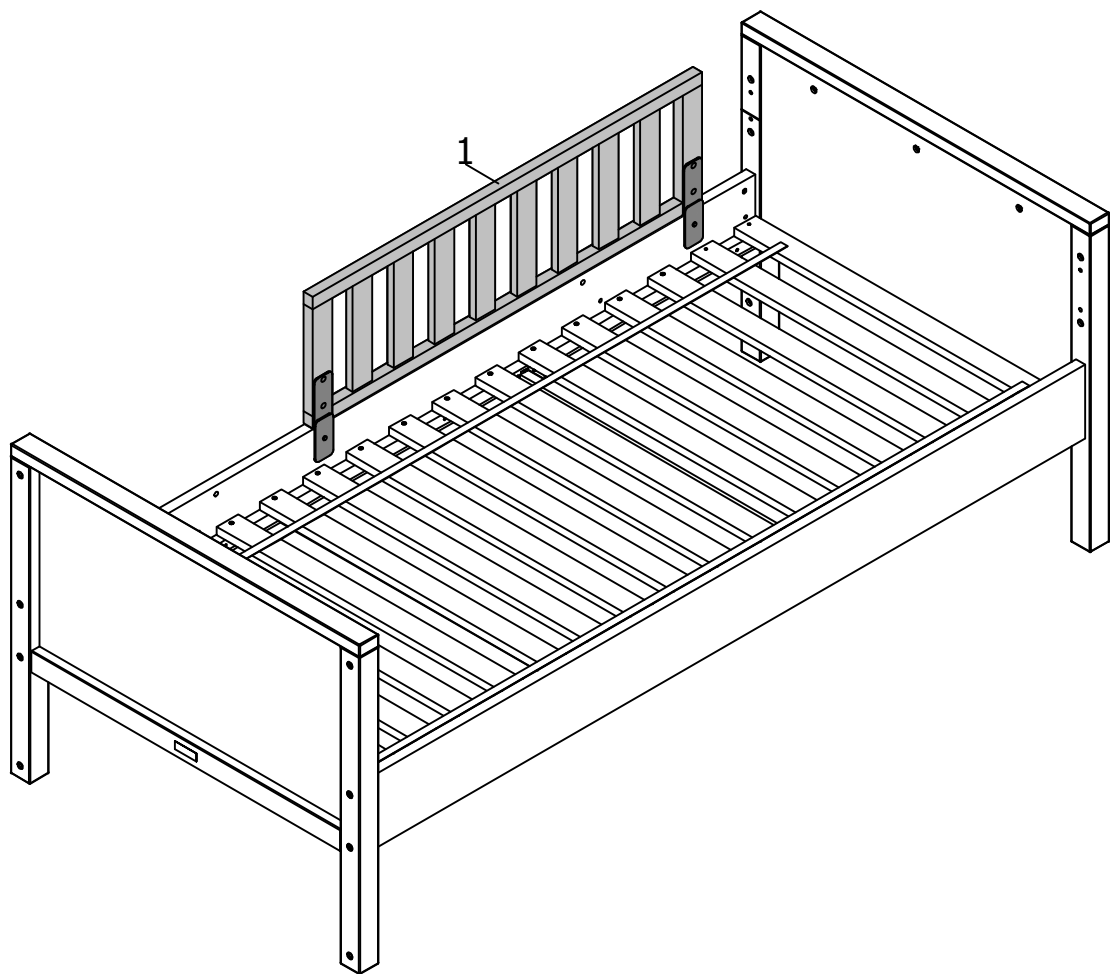


bopita[®]

ASSEMBLY INSTRUCTION
MONTAGE HANDLEIDING
MONTAGE ANLEITUNG
NOTICE DE MONTAGE
MANUAL DE MONTAJE

UK	MODEL	:NORDIC
NL	TYPE	:UNIVERSAL PROTECTION SIDE 25 MM
D	COLOUR	:WHITE
F	ART.CODE	:196139.11.
ESP		



Distributor:

BOPITA
Energieweg 1
6662 NS Elst
The Netherlands

www.bopita.com

11.04.2023.

